

Please fill out the following form to give us a first impression of what kind of product you are looking for and how we can support you. We will try to process your request as soon as possible. For questions and comments, please feel free to use the form at the bottom or contact us via phone or e-mail.

CUSTOMER INFORMATION

Company

Address

Contact person

E-Mail

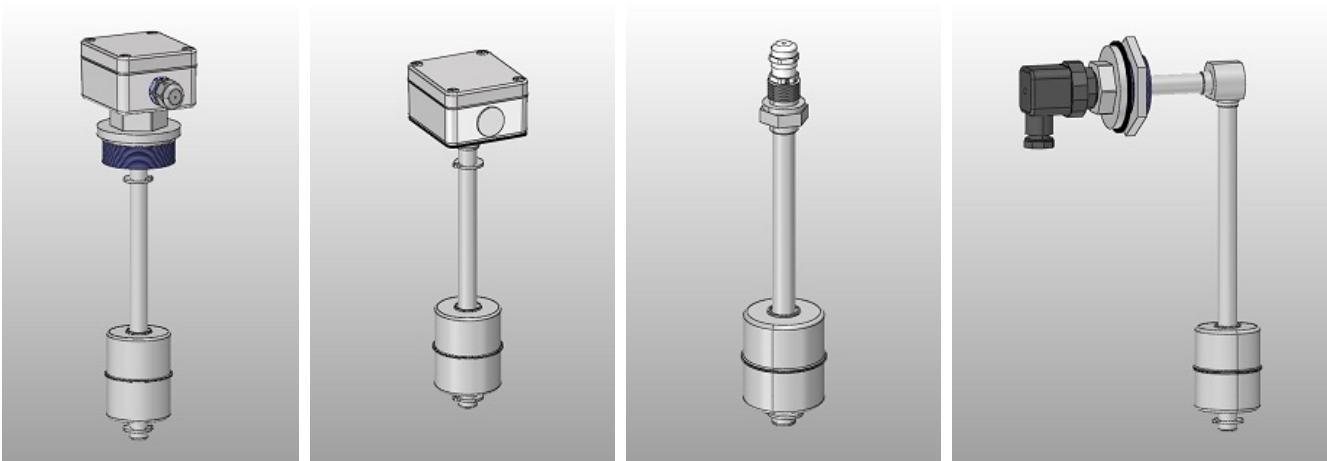
Phone

Website of company

GENERAL TECHNICAL INFORMATION – obligatory –

Requested quantity	piece(s)		
Medium contact parts	Stainless Steel	Brass	
	PVDF	PVC	ECTFE
	Other		
Medium			
Material of tank			
Density of the medium		g/cm ³	g/cm ³ (opt. 2nd)
Temperature of the medium	-	°C (min - max)	
Pressure inside tank	bar		
Mounting from...	Top	Bottom	Side
	Inside	Outside	

See mounting examples below:



a) Top/Outside

b) Bottom/Outside

c) Top/Inside

d) Side/Outside

PRODUCT FINDER

Level Measuring Technology

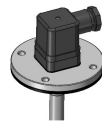
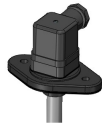
Switching capacity	Max. 24 VDC/150 mA	230 VAC/60 VA
Power supply	230 VAC	24 VDC

DETAILED TECHNICAL INFORMATION – obligatory –

Process Connection/Fixture

	1/4"	3/8	1/2"	3/4"	1"
	1 1/4"	1 1/2"	2"	M20 x 1,5	

Flange	Oval	Round
	mm (hole circle)	mm (hole circle)



Electrical Connection

Plug-type Connector	M12 (4 - 8 Pin) ≤ 24V	3-Pin + PE DIN EN 175301-803
	Terminal Box	7-Pin + PE DIN EN 175301-804

Other

Connection Cable - optional -	mm (length)
--------------------------------------	-------------

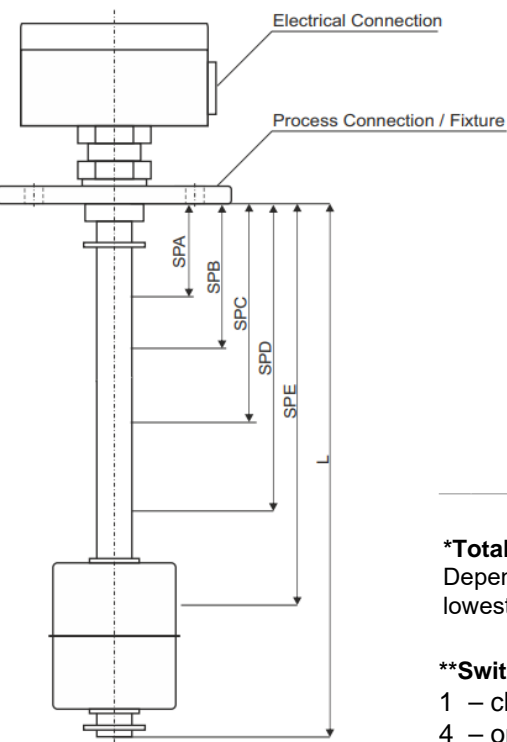
Level Measuring –analogue

Resolution	0,1 mm	2,5 mm
	5,0 mm	10,0 mm
Signal	0-10 V	4-20 mA

Level Detection

Total Tube Length*	mm
---------------------------	----

Switching Point(s)



Switching function**	
SPA	mm
SPB	mm
SPC	mm
SPD	mm
SPE	mm

***Total Tube Length**
Depending on the used device, the length of the tube is specified according to the lowest switching point. Nevertheless the tube can be longer.

****Switching functions**
1 – closes on level rise 2 – opens on level rise 3 – closes on level drop
4 – opens on level drop 5 – change-over contact

Level Measuring Technology

FURTHER INFORMATION – optional –

Temperature Switch	Normally closed NC	Normally open NO	
	Temp.1 °C	Temp. 2 °C	
	Tolerance +/- 5 K	Tolerance +/- 3 K	Other tolerance +/-
Temperature Sensor			
PT100	2-wire	3-wire	4-wire
PT1000	2-wire	3-wire	4-wire
With analogue output	4-20mA	0-10V	

YOUR QUESTIONS & COMMENTS

Please note:

If you're already using level measuring technology (from us/from another supplier), it is really helpful to have a reference drawing of your used device in order understand your requirements better and process your request faster. You can attach the drawing/picture or similar to your request if you like.